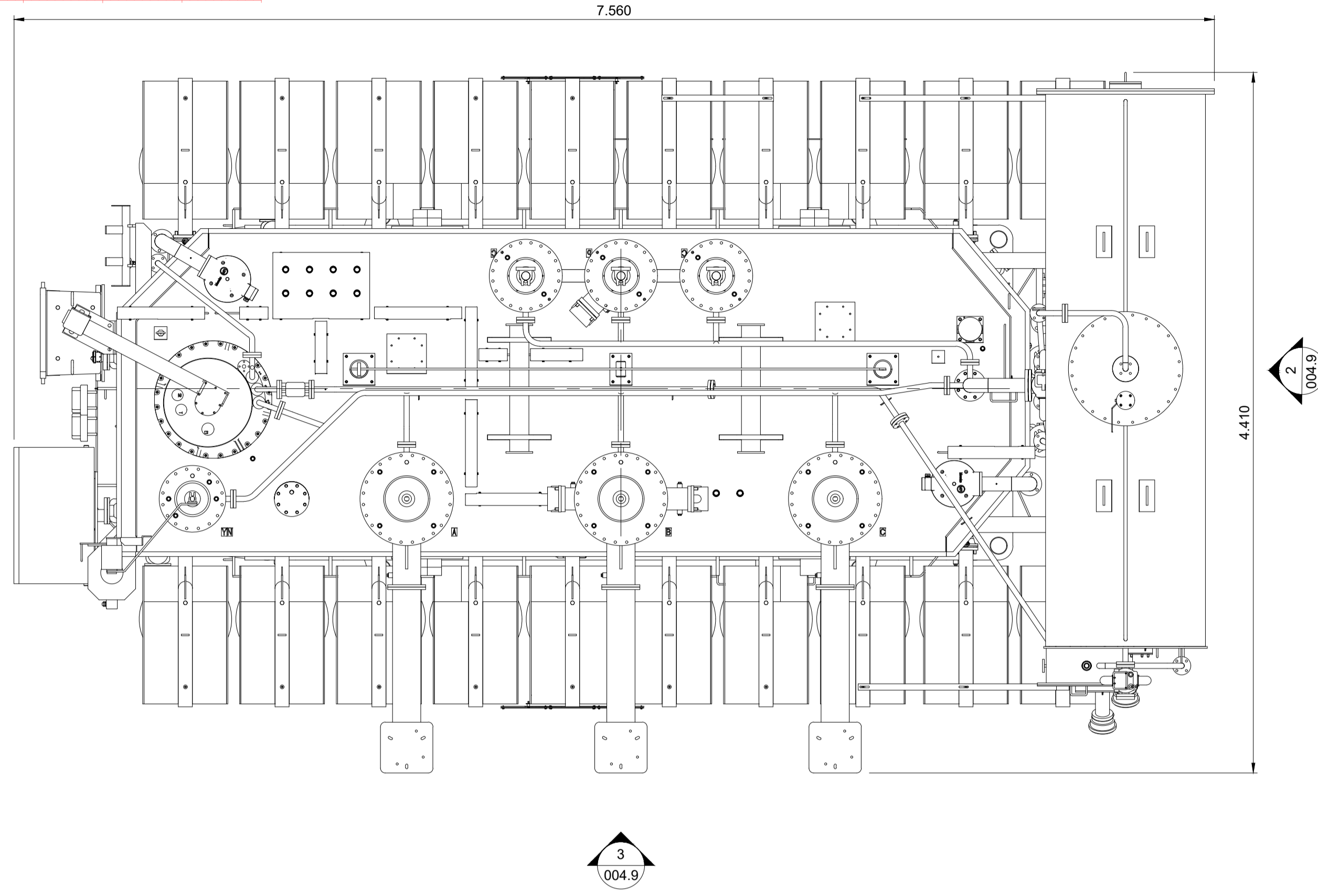
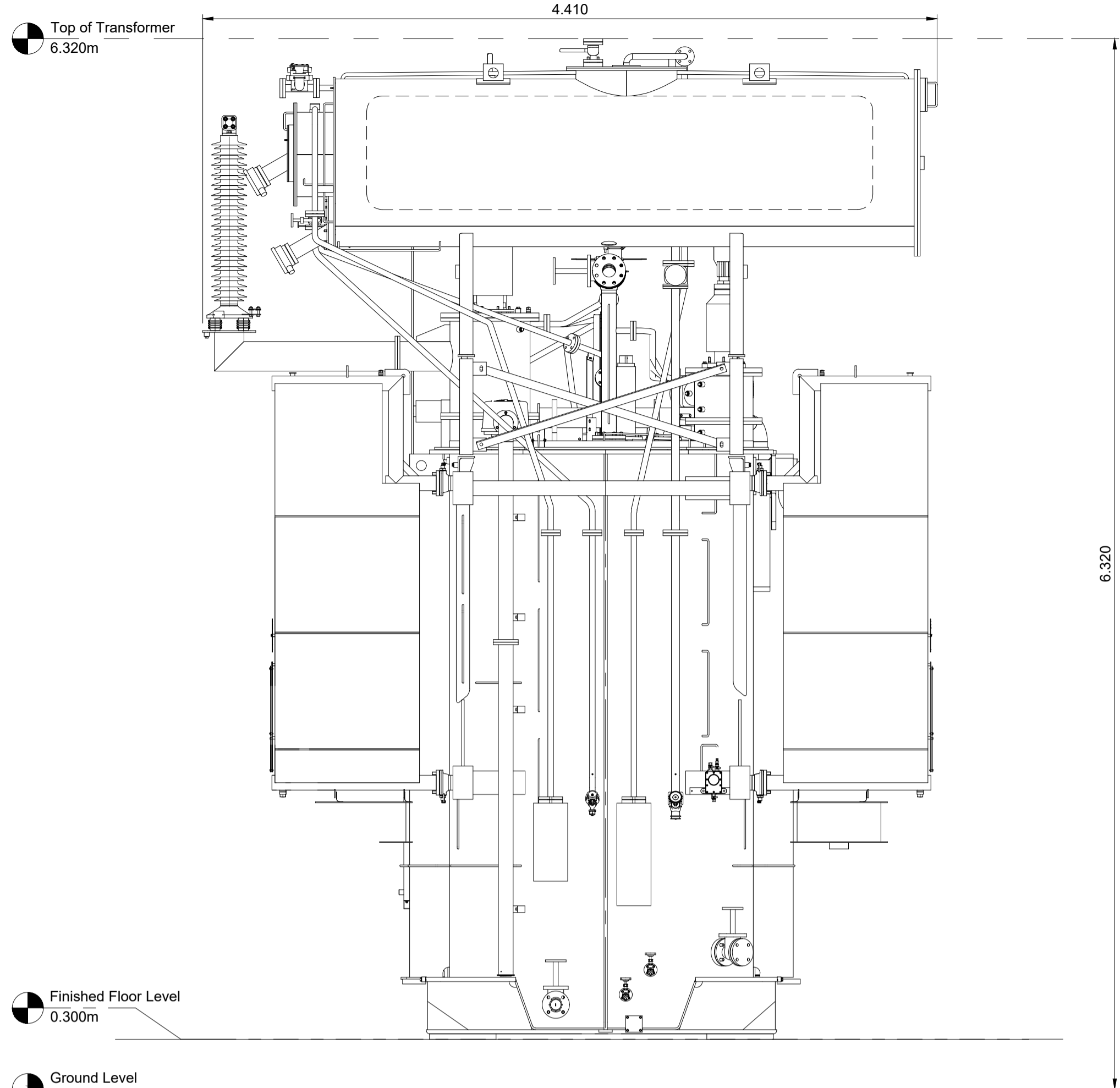


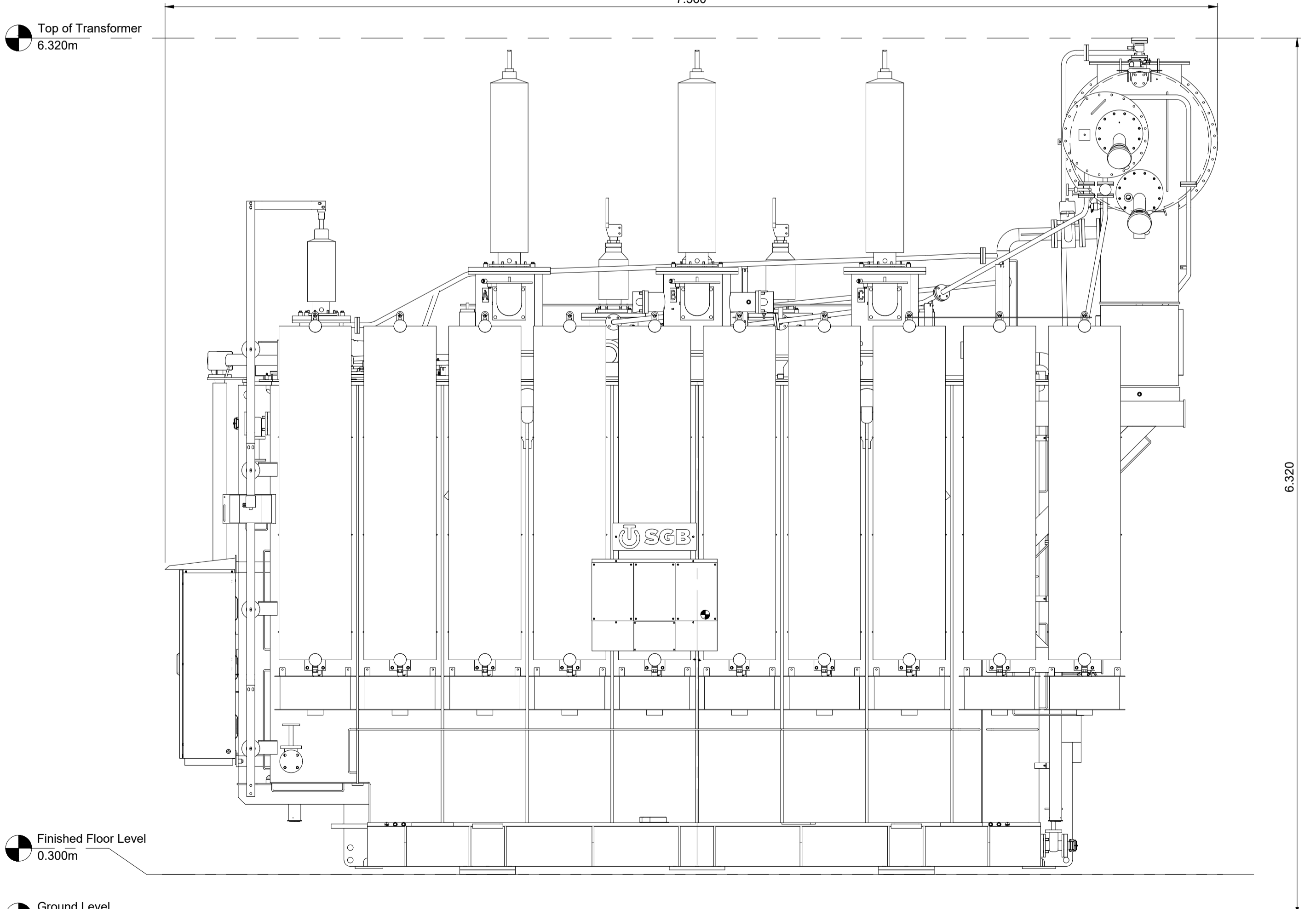
1:10	0	100mm	200mm	300mm	400mm	500mm	600mm	700mm	800mm	900mm	1m
1:20		0.5m		1m		1.5m		2m		2.5m	
1:25		0.5m	1m	1.5m	2m	2.5m	3m	4m	5m		
1:50		1m	2m	3m	4m	5m	6m	7m	8m	9m	10m
1:100		1m	2m	3m	4m	5m	6m	7m	8m	9m	10m
1:200		5m	10m	15m	20m	25m					
1:250		5m	10m	15m	20m	25m					
1:500		10m	20m	30m	40m	50m					
1:1000		10m	20m	30m	40m	50m	60m	70m	80m	90m	100m



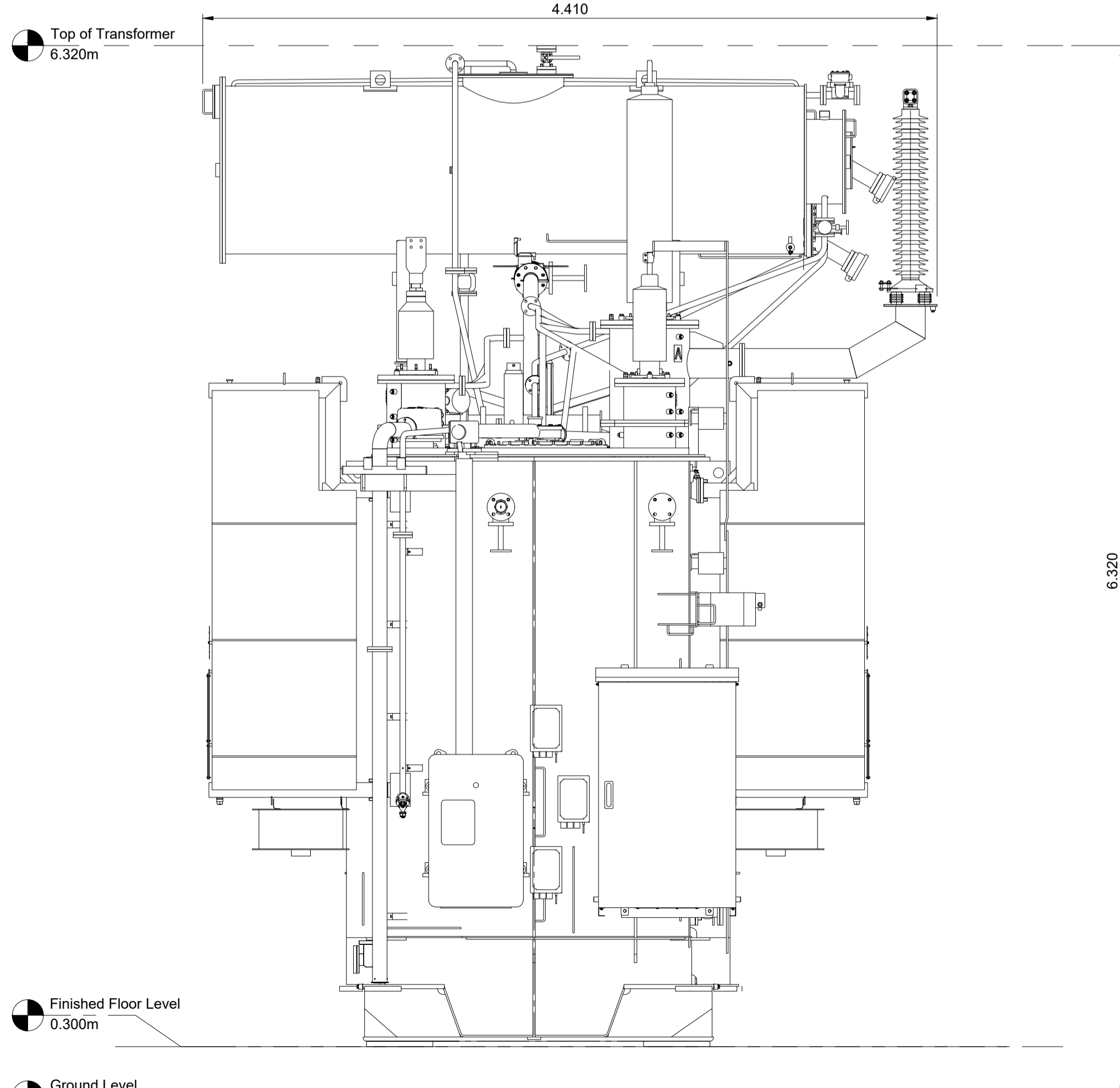
1 High Voltage Transformer Plan
Scale 1:25 @ A1



2 High Voltage Transformer East Elevation
Scale 1:25 @ A1



3 High Voltage Transformer South Elevation
Scale 1:25 @ A1



4 High Voltage Transformer West Elevation
Scale 1:25 @ A1

Drawing Notes

- All dimensions are shown in metres unless noted otherwise.
- Do not scale from this drawing.

REV	DATE	DESCRIPTION	BY	CHKD
0	07.10.2024	High Voltage Transformer Plan and Elevations	JH	EW

FIELD
Field
Fora Montacute Yards
186 Shoreditch High Street
London
E1 6HU

PROJECT: Corriemollie

TITLE: High Voltage Transformer Plan and Elevations

DISCIPLINE: PLANNING

DRAWING STATUS: FOR PLANNING

SCALE	DATE	DRAWN BY	CHECKED BY	APPROVED BY
1:25 @ A1	07.10.2024	JH	EW	AP
PROJECT NO.	DRAWING NO.		REV.	
BTGBCOR01	004.9		00	