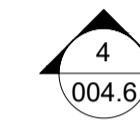
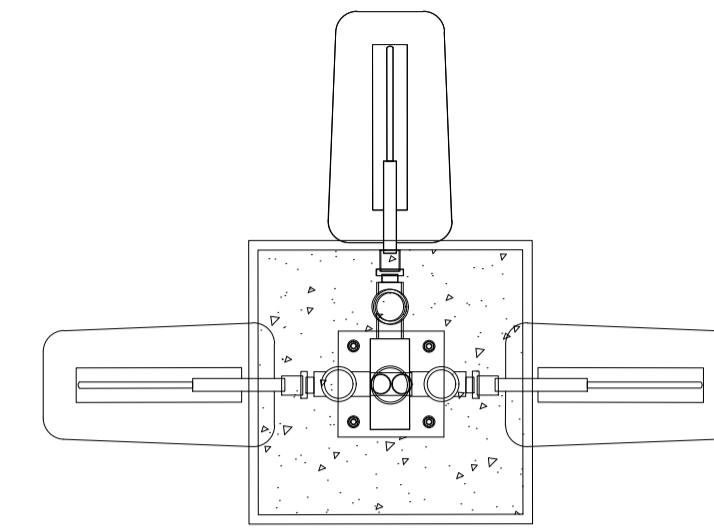
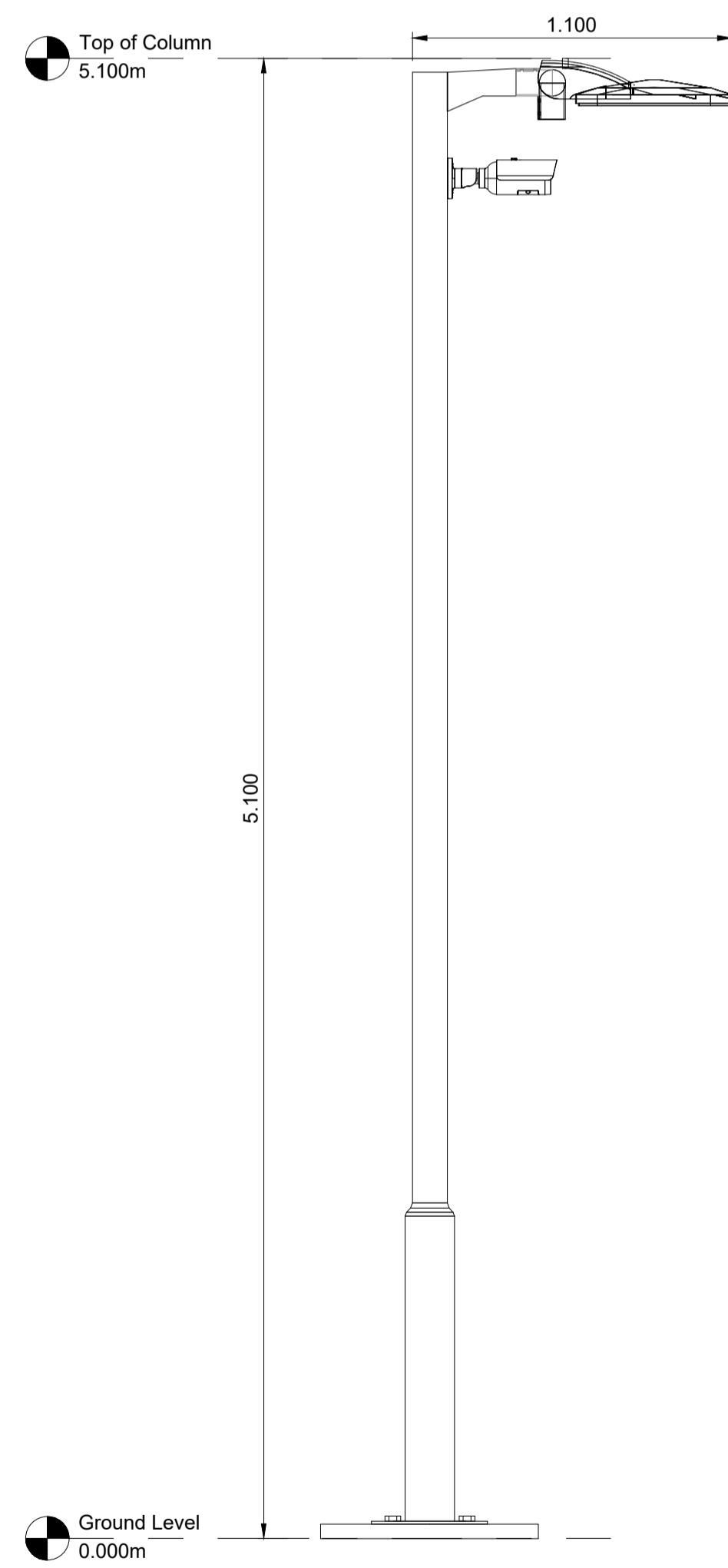


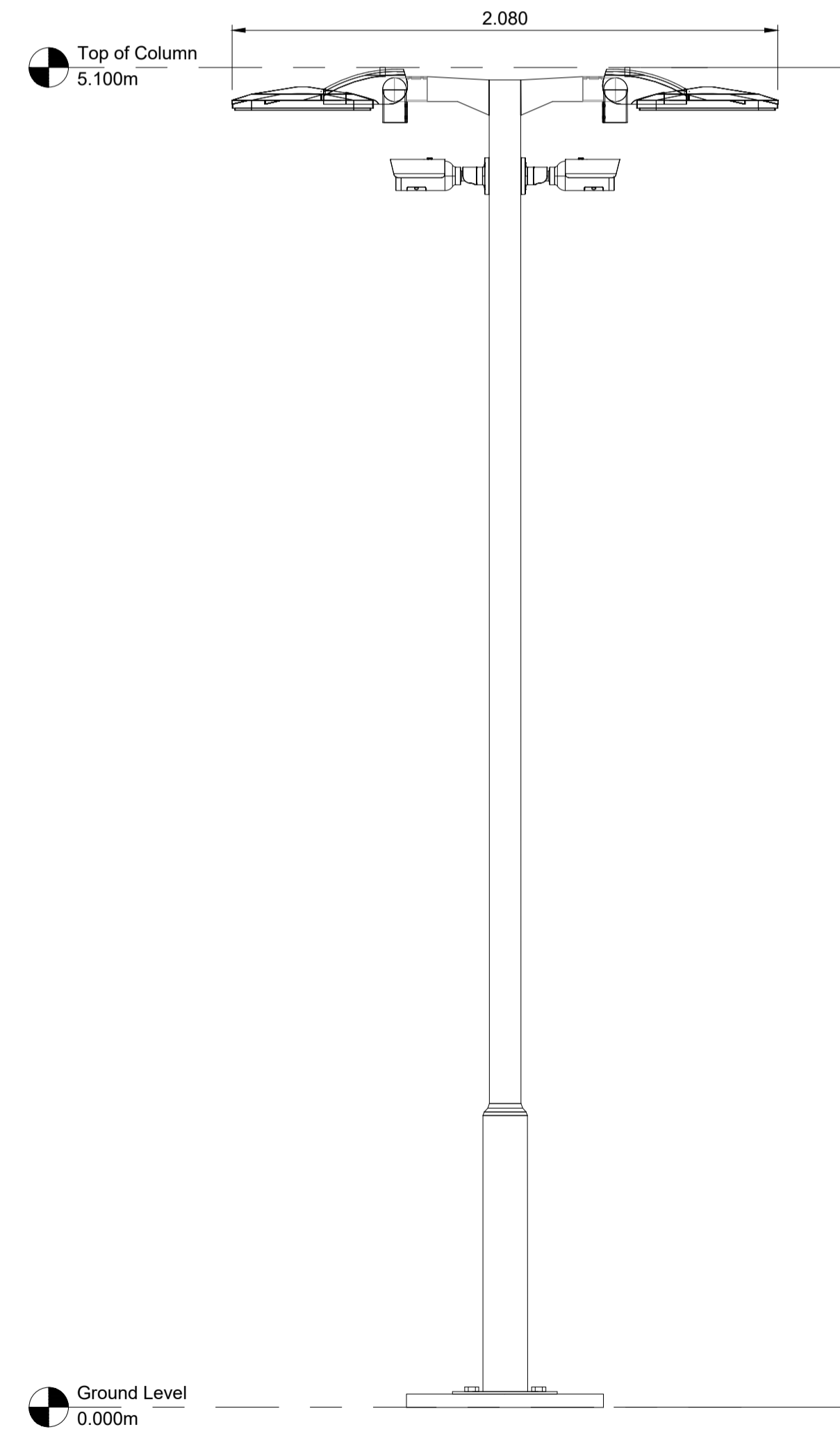
1 Lighting and CCTV Column Plan - Double Bracket
Scale 1:20 @ A1



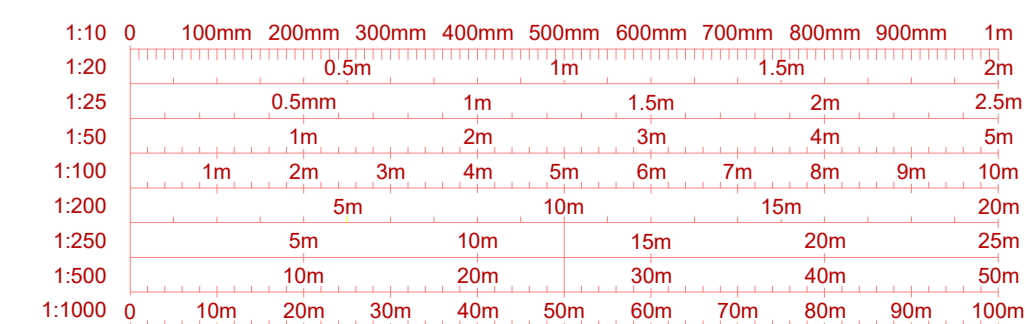
2 Lighting and CCTV Column Plan - Triple Bracket
Scale 1:20 @ A1



3 Lighting and CCTV Column Elevation - Double Bracket
Scale 1:20 @ A1



4 Lighting and CCTV Column Elevation - Triple Bracket
Scale 1:20 @ A1



- Drawing Notes**
- All dimensions are shown in metres unless noted otherwise.
 - Do not scale from this drawing.

REV	DATE	DESCRIPTION	BY	CHKD
0	07.10.2024	Lighting and CCTV Column Plan and Elevations - Original	JH	EW

FIELD
Field
Fora Montacute Yards
186 Shoreditch High Street
London
E1 6HU

PROJECT
Corriemollie

TITLE
Lighting and CCTV Column
Plan and Elevations

DISCIPLINE
PLANNING

DRAWING STATUS
FOR PLANNING

SCALE	DATE	DRAWN BY	CHECKED BY	APPROVED BY
1:20 @ A1	07.10.2024	JH	EW	AD
PROJECT NO.	DRAWING NO.	REV.		
BTGBCOR01	004.6			00